

Hand-Held and Rig-Mounted Core Drills

- Drill holes from 5/32" to 14" dia. in floors, walls and ceilings
- Fast drilling of reinforced concrete, concrete, brick, block and stone
- 5/8" and 1-1/4" standard thread connections
- Drills are equipped with a "slip clutch"
- Vacuum dust collection port attachment available

Wet and Dry Diamond Core Bits are available for concrete, stone, asphalt and more. Contact us for details.





Wet

END 712
Mini Diamond Drill for tile, natural stone and concrete
Drill holes 5/32" to 3/4"
0-8000 RPM


END 1550 P
Ideal for stone, tiles, ceramic porcelain, stoneware, and glass up to 2-5/8" dia. with tile bits. Concrete up to 1-1/2" dia. with standard core bits.
Drill holes up to 2-5/8"
1800-4400 RPM
Swivel suction stand available: BST 50V



Wet

Wet - 3-speed
END 130/3.2 PO
END130/3.2 POSA
END130/3.2 POSV
Drill holes up to 6"



END 130/3.2 POSV



Wet/Dry - 2-speed
ETN 2001 P
ETN 2001 PSA
ETN 2001 PSV
Drill holes up to 4"



Wet/Dry - 3-speed
ETN 162/3 P
ETN 162/3 PSA
ETN 162/3 PSV
Drill holes up to 6-3/8"
ETN 162/3 P182 VS/S
Drill holes up to 8"
Integrated dust collection port



Model No.	Motor Power (Amps)	Drilling Diameter	Load Speed (RPM)	Weight (lbs.)*	Drill with Anchor Stand Model No.	Drill with Anchor Stand & Vacuum Pump Model No.
END 712	6.3	5/32" to 3/4"	0-8000	5	N/A	N/A
END 1550 P	13	1/4" to 2-5/8"	1800-4400	7	N/A	N/A
ETN 2001 P	15	up to 4"	0-800/0-1570	15	ETN 2001 PSA	ETN 2001 PSV
ETN 162/3 P	19	up to 6-3/8"	0-510/0-1150/ 0-2500	15	ETN 162/3 PSA	ETN 162/3 PSV
ETN162/3 P182 VS/S	19	up to 8"	0-510/0-1150/ 0-2500	34	Model includes drill and BST 182 V/S anchor/vacuum stand for 8" dia. holes	
END 130/3.2 PO	15	up to 6"	600/1300/2800	16	END130/3.2 POSA	END130/3.2 POSV

* Weight is for hand-held models only. Please contact CS Unitec for weight information on drill rig combinations.

Note: Hand-held core drills are intended up to a max. of 3" dia. for hand-held drilling or up to 6" dia. with a stand.

Rig Mounted Core Drills



1-speed
DBE 201
Rig mounted
only
Drill holes
up to 8"



3-speed
EBM 352/3 P (motor only, for
use with compatible stands)
EBM 352/3 PSA (anchor stand)
EBM 352/3 PSV (anchor vacuum
stand)
Drill holes up to 14"



Model No.	Motor Power (Amps)	Drilling Diameter	Load Speed (RPM)	Weight (lbs.)	Drill with Anchor Stand Model No.	Drill with Anchor Stand & Vacuum Pump Model No.
DBE 201	18	up to 8"	450	34	Included	N/A
EBM 352/3 P	24.5	up to 14"	230/500/1030	28**	EBM 352/3 PSA*	EBM 352/3 PSV*

* With spacer block – P/N 35827000 ** Weight is for motor only. Please contact CS Unitec for weight information on drill rig combinations.

Hydraulic and Pneumatic Core Drills

Hydraulic Core Drills

- Rugged 3-speed gearbox with mechanical slip clutch
- Ideal for heavy-duty wet drilling in concrete, reinforced concrete and asphalt
- Self-regulating oil flow control – required volume of 6 GPM; flow up to 13 GPM is automatically bypassed back to the tank
- Hose diameter: 1/2" ID Hose with 3/8" FF (HTMA) Couplings



Model
2 1317 0030



Model No.	Motor Power (HP)	Max Drilling Dia.	Free Speed (RPM)	Connecting Threads	Oil Flow/ 2000 PSI	Weight (lbs.)	Stand
2 1317 0030	3.6	3"	380/900/ 1800	1-1/4"x7 UNC Male 5/8"x11 UNC Male	6 GPM	16	Motor only
2 1317 0030 SA	3.6	6"				47	Anchor Stand
2 1317 0030 SV	3.6	6"				49	Anchor Stand & Vacuum Pump
2 1327 0010 SA	4.2	12"	380/900/ 1800	1-1/4"x7 UNC Male Optional: 5/8"x11	6 GPM	69	Anchor Stand
2 1327 0010 SV	4.2	12"	380/900/ 1800	1-1/4"x7 UNC Male Optional: 5/8"x11	6 GPM	82	Anchor Stand & Vacuum Pump

Note: Hand-held core drills are intended up to a max. of 3" dia. for hand-held drilling or up to 6" dia. with a stand.



Model
2 1327 0010 SA

Pneumatic Core Drills

- Rugged 3-speed gearbox with mechanical slip clutch
- Ideal for heavy-duty wet drilling in concrete, reinforced concrete and asphalt
- Pneumatic power for hazardous areas and Ex zones



Model 2 1333 0010

Model No.	Motor Power (HP)	Max Drilling Dia.	Load Speed (RPM)	CFM @ 90 PSI	Weight (lbs.)	Stand
2 1333 0010	2.1	3"	400/900/ 1600	77	18	Motor only
2 1333 0010 SA	2.1	6"			49	Anchor Stand
2 1333 0010 SV	2.1	6"			51	Anchor Stand & Vacuum Pump
2 1335 0010	3.8	3"	300/700/ 1350	123	21	Motor only
2 1335 0010 SA	3.8	6"			52	Anchor Stand
2 1335 0010 SV	3.8	6"			54	Anchor Stand & Vacuum Pump
2 1328 0050 SA	3.8	12"	300/700/ 1350	123	66	Anchor Stand
2 1328 0050 SV	3.8	12"	72		Anchor Stand & Vacuum Pump	

Note: Hand-held core drills are intended up to a max. of 3" dia. for hand-held drilling or up to 6" dia. with a stand.



Model 2 1328 0050 SA

ATEX Certified
For use in hazardous environments and ATEX and Ex Zones

Power Packs

Hydraulic Power Unit

Model P95

- Ideal for use with our hydraulic power tools
- Delivers 5 GPM or 8 GPM at 2000 PSI
- Easy to move with lift and latch handle
- Weighs 330 lbs.
- 18 HP gas engine



Hydraulic Power Unit is available with gas, electric or diesel engines. Contact us for more information.

AirPac Dryer/Cleaner

Model CSAP-2

- Removes moisture and dirt from air lines; float valve automatically ejects water and dirt
- Includes automatic oiler; protects tools from freezing in cold environments
- Eliminates air motor downtime caused by water and dirt
- Connections for two tools; max. air flow 185 CFM



Air Tool Lubricant

ProLube-ATL
P/N CS 7043-001 (gallon)

Air Tool Lubricant with Anti-Freeze

ProLube-ATL/AF
P/N CS 7049-001 (gallon)

Air Tool Line Conditioner/Cleaner

For use in underwater air tools – displaces moisture and inhibits rust and corrosion of air motors - P/N 9109 (5 liters)

Service Unit / Lubricator / Regulator

Model 9 2406 0630 (1/2" NPT) Model 9 2406 0650 (3/4" NPT)

- Portable filter, pressure regulator and lubricator
- Maintains constant downstream pressure for consistent tool operation
- Air pressure adjustable from 0-140 PSI
- Filter collects condensate, scale, rust, etc.
- Maximum air volume: 125 CFM
- Durable steel enclosure protects the unit



Core Drill Stands and Rigs



360° swivel range

BST 50V



BST 104/60V



BST 162 V



BST 182 V/S



BST 300



BST 300 V

Specifications	BST 50 V	BST 104/60V*	BST 162 V*	BST 182 V/S*	BST 300	BST 300 V*
Description	Swivel suction stand	Anchor/Vacuum stand	Anchor/Vacuum stand	Anchor/Vacuum stand	Anchor stand,	Anchor/Vacuum stand
Height	17"	30"	38"	41"	44"	44"
Weight	16 lbs.	21 lbs.	31 lbs.	31 lbs.	45 lbs.	50 lbs.
For use with Core Drill(s)	END 1550 P	ETN 2001 P END 130/3.2 PO	ETN 162/3 2 1317 0030 2 1333 0010 2 1335 0010	ETN 162/3	EBM 352/3 2 1327 0010 2 1328 0050	EBM 352/3 2 1327 0010 2 1328 0050

To add vacuum capability for electric and hydraulic core drills, order vacuum pump part no. 253 511; for pneumatic core drills, order vacuum part no. 253 542

Core Drill Rig for safer drilling in walls



- Ideal for higher-level drilling with hand-held drills
- Reduces risk of fatigue and accidents
- Simple assembly without tools
- Hydraulic foot-operated pump for easy height adjustment
- Equipped with casters for mobility at the job site

Model EBW 2300

Working Height	57" to 68"
Collar Diameter	2-1/3" / 60mm
Weight	88 lbs.

68" max. drilling height

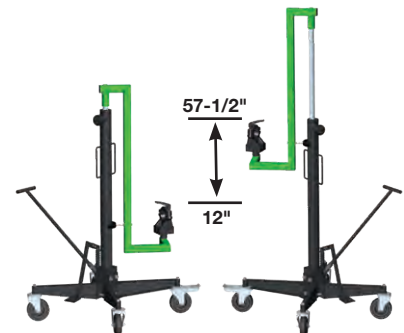


Conveniently transport to the job site.

Optional Machine Arm

Allows working height of 12" to 57-1/2"

PIN 3582E000



Air and hydraulic: powerful percussion drilling for concrete and masonry – even underwater

- SDS Plus or SDS Max models
- Safety clutch protects against overloading and jamming
- Hammer drill holes in concrete, brick and masonry
- Rotary drilling mode for straight drilling of steel and wood
- Open center hydraulic standard, closed center optional

SDS Max – Modes of Operation

2" bit capacity for drilling concrete and masonry

Hammer with Rotation
Ideal for concrete drilling

Rotation Only For drilling steel and wood (not reversible)



Air Model 2 2417 0010
SDS Max



Hydraulic Model
2 2418 0010
SDS Max

Second handle position
SAE #8 port for hydraulic hose connection

Closed Center Flow Control Valve

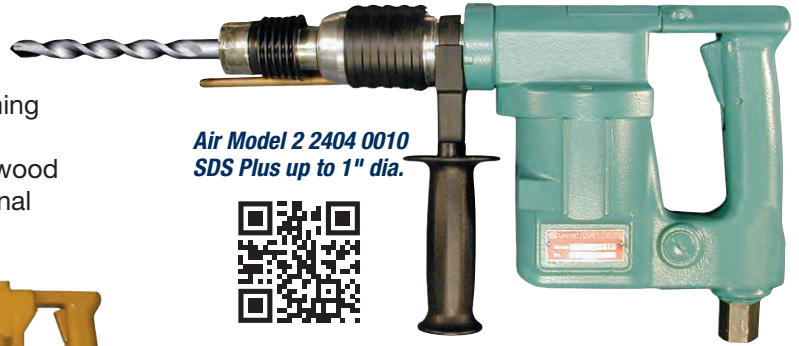
Optional accessory – Part No. 38632



SDS Drill Bits



Small Masonry Bits
SDS Plus up to 1" dia.
Large Masonry Bits
SDS Max up to 2" dia.



Air Model 2 2404 0010
SDS Plus up to 1" dia.



SDS Plus – Hammer and Drill

1" bit capacity for drilling concrete and masonry

Drill concrete anchor holes, thru holes, piping and mechanical openings for construction and repair work. Switches to rotary drilling mode for steel and wood.



Hydraulic Model
2 2426 0010
SDS Plus
Pressure reducing valve integrated into handle

SAE #8 oil port

1/2" chuck with SDS+ shank
Part No. 2 2409 8999

1/2" chuck with SDS Max shank
Part No. XRDCMKL 12

Pneumatic Hammer Drill Model No.	Blows/Minute (BPM)	Drill Speed (RPM)	Solid Bit Capacity (concrete)	Core Bit Capacity (concrete)	Twist Drill (wood)	Motor Power (HP)	CFM at 90 PSI	Tool System	Dimensions (inches)	Weight (lbs.)
2 1266 0010	0-2000	0-950	1/2" dia.	1" dia.	3/8" dia.	0.75	21	1/2" Chuck	12 x 8 1/2 x 4	7
2 2404 0010	0-3000	0-625	1" dia.	3" dia.	3/4" dia.	0.70	21	SDS Plus	16 x 8 1/2 x 4	11
2 2404 0030*	0-3000	0-625	1" dia.	3" dia.	3/4" dia.	0.70	21	SDS Plus	16 x 8 1/2 x 4	11
2 2417 0010	0-2500	0-250	2" dia.	6" dia.	1 1/4" dia.	1.60	53	SDS Max	19 1/2 x 9.8 x 4 1/2	26

* Underwater model with exhaust valve port pointing away from user's work area and line of sight. Optional underwater air tool line conditioner to displace moisture, Part No. 9109 (5 liters).

Hydraulic Hammer Drill Model No.	Blows/Minute (BPM)	Drill Speed (RPM)	Solid Bit Capacity (concrete)	Core Bit Capacity (concrete)	Twist Drill (wood)	Motor Power (HP)	Oil Flow/PSI	Tool System	Dimensions (inches)	Weight (lbs.)
2 2426 0010**	0-3400	0-625	1" dia.	3" dia.	3/4" dia.	0.8	5.8-13.2 GPM @ 1160 PSI	SDS Plus	18 x 10 1/4 x 4	15
2 2418 0010	0-2500	0-250	2" dia.	6" dia.	1 1/4" dia.	1.8	2.6-13.2 GPM @ 1160 PSI	SDS Max	16 x 8 1/2 x 4	11

2 2418 0020 Same as 2 2418 0010 above. Includes 2 2406 9700 Pressure Reducing Valve for 2000 PSI.

Hydraulic Hammer Drills operate at hydraulic pressures of 1160 PSI max. Pressure reducing valves are available to reduce pressure from 2000 PSI or 5000 PSI. Available with optional closed center. Hydraulic Hammer Drills supplied with whip hoses and flush face couplers.

** Pressure relief valve is built into the handle